



LED T8 Composite Tube Lights, USA Made

4 ft – DLC & UL – 12, 15 & 18 Watts – Clear or Frosted Lens – 100~277VAC – 2 Pin / G13 Base



Over 35 Years of LEDtronics Design, Engineering & Manufacturing Experience

FEATURES

- 5 Year LEDtronics Limited Warranty
- Direct Retrofit into Fluorescent 4-ft T8/T12 Fixtures
- Energy Savings of up to 50%
- Lumen Maintenance over 70% @ 50,000+ Hours
- Made in USA from Imported Parts
- Even Lighting, No Buzzing, No Flickering
- No UV/IR Radiation, No RF Interference
- DLC Listed, UL/cUL Classified (E322319)
- No Toxic Mercury - RoHS Compliant
- LM79 & LM80 Reports Available

APPLICATIONS

- Office Lighting
- Production Area
- Warehouse Lighting
- Coolers, Freezers & Damp Locations
- Retail Store Display Lighting
- Transportation
- Undercabinet Lighting
- General & Street Sign Backlighting

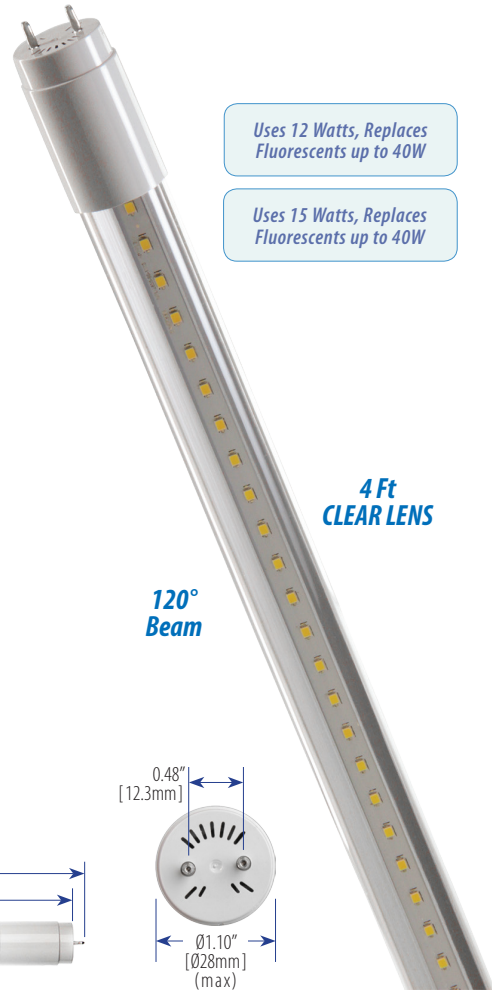
AVAILABLE OPTIONS

- Other Tube Lengths
- Other Color Temperatures
- Other Voltages

CLEAR LENS

LED48T8CM-12W-XWW-001WC (12 Watts / Natural White)
 LED48T8CM-12W-XPW-001WC (12 Watts / Pure White)
 LED48T8CM-15W-XWW-001WC (15 Watts / Natural White)
 LED48T8CM-15W-XPW-001WC (15 Watts / Pure White)

	12W-XWW	12W-XPW	15W-XWW	15W-XPW
Input Power	12.27 Watts	12 Watts	14.99 Watts	15 Watts
Input Voltage	100~277VAC (Tested @120VAC)			
Input Current	0.92 A	0.94 A	0.128 A	0.125 A
Total Lumens	1774.56 lm	1500 lm	2061.43 lm	1800 lm
Efficacy	144.63 lm/W	125 lm/W	137.52 lm/W	120 lm/W
Max. Candela	573 cd	511 cd	765 cd	678 cd
Power Factor	0.8752	0.9	0.9169	0.9
CRI	82.5	80	82.6	80
Color Temperature	4000K	5000K	4000K	5000K
Dimmability	Not Dimmable			
Illumination Angle	120°			
Oper. Temperature	-4°F to 113°F (-20°C to 45°C)			
Heatsink	Aluminum Alloy / Silver Color			
Lens	Polycarbonate / Clear			
Base	2-Pin G13			
DLC Product Code	PZWW1Q57	P6H2128F	P1J9PBZX	PWQBQKTW
Dimensions	47.78 x Ø1.02 inch / 1213.6 x Ø26 mm			
Net Weight	0.56 lb / 254 g		0.62 lb / 281.2 g	



LEDTRONICS
 America's Premium Brand LED Company™



© 2020 LEDtronics, Inc.



23105 Kashiwa Court, Torrance, CA 90505
 Phone: (800) 579.4875 / (310) 534.1505
 Fax: (310) 534.1424
 E-mail: info@ledtronics.com
 Website: ledtronics.com

ARRA Compliant

 Made in USA from Imported Parts

To order LEDtronics products, contact the Distributor or Sales Representative in your area.

Visit our website to find your local Distributor or Representative from our worldwide network:

LEDtronics.com

LED T8 Composite Housing 4 ft Tube Lights, **Made in USA** – Frosted

4 Ft
Frosted Lens



110°
Illumination Angle

FROSTED LENS

LED48T8CM-12W-XWW-001WF (12 Watts / Natural White)

LED48T8CM-12W-XPW-001WF (12 Watts / Pure White)

LED48T8CM-15W-XWW-001WF (15 Watts / Natural White)

LED48T8CM-15W-XPW-001WF (15 Watts / Pure White)

LED48T8CM-18W-XWW-001WF (18 Watts / Natural White)

LED48T8CM-18W-XPW-001WF (18 Watts / Pure White)

Uses 12 Watts, Replaces
Fluorescents up to 40W

Uses 15 Watts, Replaces
Fluorescents up to 40W

Two 18-Watt LED Tubes Replace
3 Fluorescent Tubes

	12W-XWW	12W-XPW	15W-XWW	15W-XPW	18W-XWW	18W-XPW
Input Power	12.31 Watts	12 Watts	14.71 Watts	15 Watts	17.78 Watts	18 Watts
Input Voltage	100~277VAC (Tested @120VAC)					
Input Current	0.94 A	0.105 A	0.127 A	0.125 A	0.148 A	0.151 A
Total Lumens	1641.05 lm	1500 lm	1926.27 lm	1800 lm	2191.31 lm	2200 lm
Efficacy	133.31 lm/W	125 lm/W	130.95 lm/W	120 lm/W	123.25 lm/W	122.2 lm/W
Max. Candela	313 cd	340 cd	402 cd	430 cd	506 cd	430 cd
Power Factor	0.8749	0.9	0.9132	0.9	0.9364	0.9
CRI	83	80	82.8	80	82.8	80
Color Temperature	4000K	5000K	4000K	5000K	4000K	5000K
Illumination Angle	110°	110°	110°	110°	110°	110°
Dimmability	Not Dimmable					
Oper. Temperature	-4°F to 113°F (-20°C to 45°C)					
Heatsink	Aluminum Alloy / Silver Color					
Lens	Polycarbonate / Frosted					
Base	2-Pin G13					
DLC Product Code	PZSEPNBS	PXNDGYXM	PMQAQ21V	P3NKFTNC	P7A849AK	PR2URHRW
Dimensions	47.78 x Ø1.02 inch / 1213.6 x Ø26 mm					
Net Weight	0.60 lb / 272.1 g		0.62 lb / 281.2 g		0.62 lb / 281.2 g	

